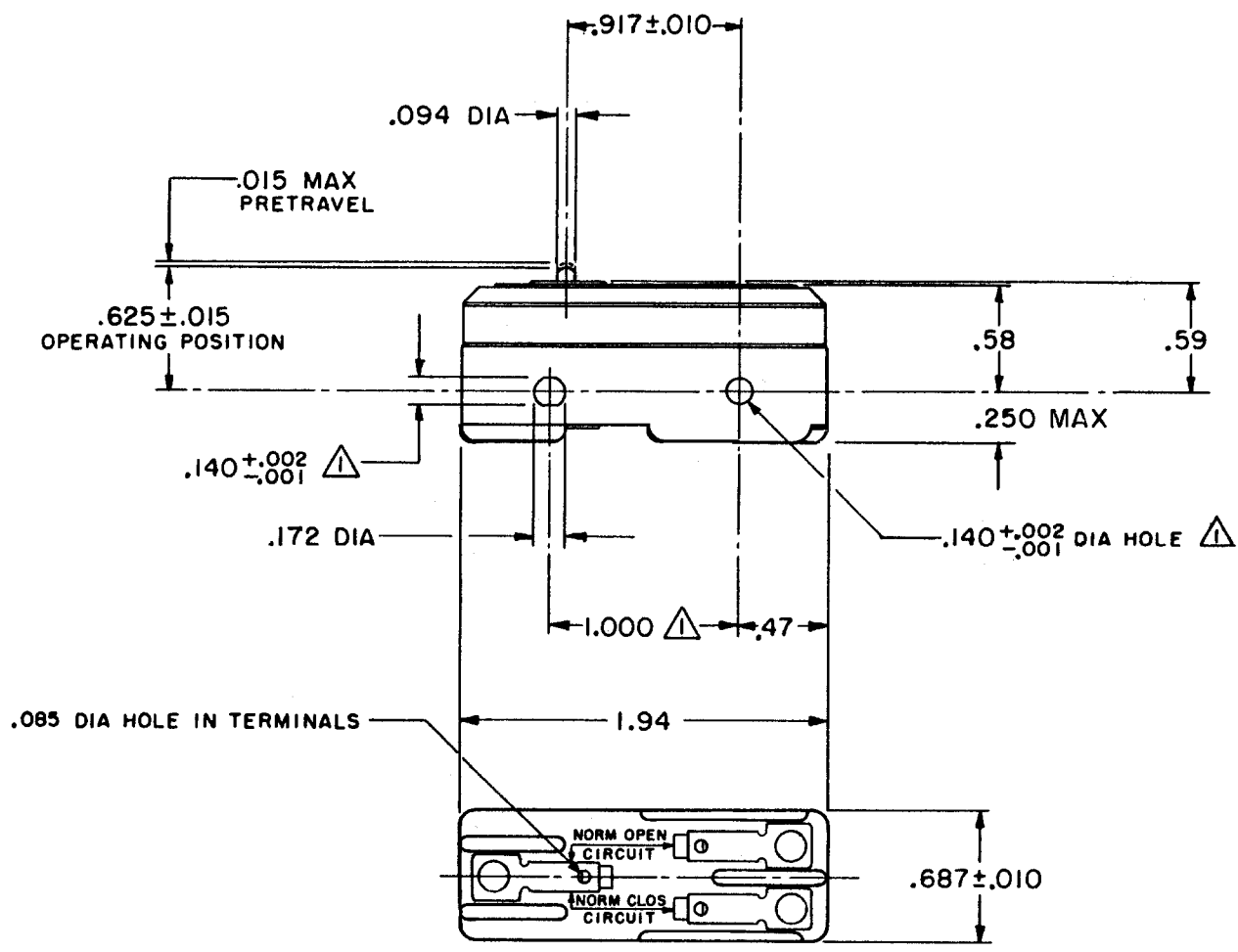


REPLACES  
 BZ-2R  
 PAGE 1 OF 1  
 DRAWING NUMBER  
 M  
 ISSUE  
 16  
 CHECK  
 REVISIONS  
 A CO17410  
 G C H  
 18 MAR 63  
 B CO31092  
 R C B  
 30 SEPT 72  
 C CO46304  
 J A P  
 12 OCT 79  
 D 58037  
 S M A  
 1 OCT 85  
 E CO 78874  
 D L T  
 17 NOV 94  
 F CO93346  
 D L T  
 1 SEP 98  
 G CO-84234  
 L J K  
 8 MAR 99  
 CHECK  
 L.S.D.  
 26 MAR 63  
 18 MAR 63  
 FORMTEK  
 FO-80378  
 DRAWN  
 G C H



**NOTE**  
 ▲ MOUNTING HOLES WILL ACCEPT PINS OR SCREWS OF .139 MAX DIA ON 1.000 ± .002 CENTERS

THIS DRAWING COVERS A PROPRIETARY ITEM AND IS THE PROPERTY OF MICRO SWITCH, A DIVISION OF MINNEAPOLIS-HONEYWELL REGULATOR CO. THIS DRAWING IS NOT TO BE COPIED OR USED WITHOUT THE APPROVAL OF MICRO SWITCH.

CHARACTERISTICS	
OPERATING FORCE	----- 9 - 13 OZ
RELEASE FORCE	----- 4 OZ MIN
DIFFERENTIAL TRAVEL	---- .0004 - .0020
OVERTRAVEL	----- .005 MIN

ELECTRICAL DATA	
CONTACT ARRANGEMENT	S P D T
UNDERWRITERS' LAB. INC. LISTED RATING 15A-125, 250 OR 480 VAC, 2A-600 VAC -L74- 1/8HP-125 VAC; 1/4HP-250 VAC 1/2A-125 VDC; 1/4A-250 VDC	
-L288-	
-L299-	
-L306-	
16A 250V ~ T85 5E4	

SCALE FULL		
DO NOT SCALE PRINT		
UNLESS OTHERWISE SPECIFIED		
DIMENSIONS ARE IN INCHES		
<b>TOLERANCES ARE:</b>		
ONE PLACE	(.0)	±.030
TWO PLACE	(.00)	±.015
THREE PLACE	(.000)	±.005
ANGLES		±
WEIGHT .050 LB		